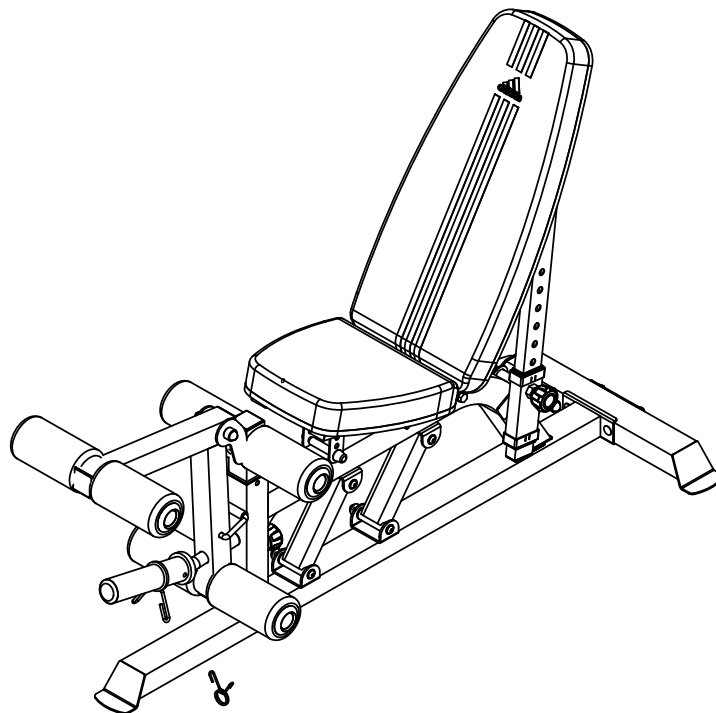




DELUXE UTILITY BENCH

ADI-3100-I

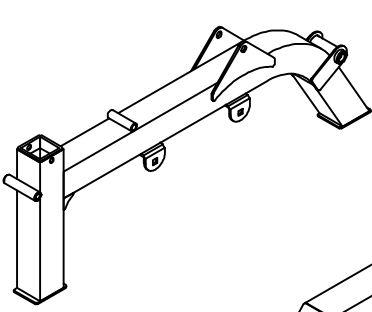


IMPORTANT: Please read the Important Safety Notice and Assembly Information in the Owner's manual before assembling this product.

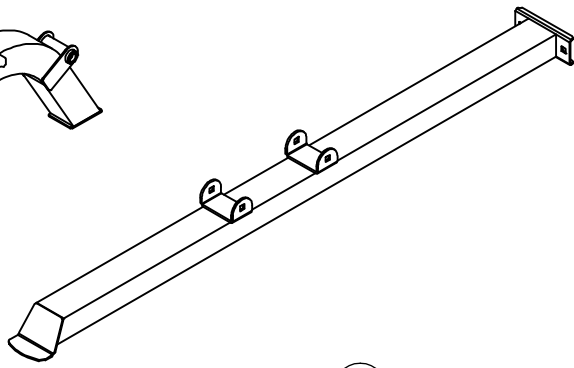
ATTENTION! Veuillez lire l'Avis de sécurité important et le Guide d'assemblage avant d'assembler cet appareil.

Assembly Manual Guide d'assemblage

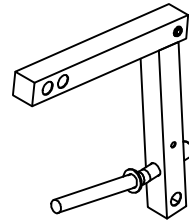
120618



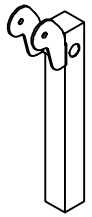
1 x1



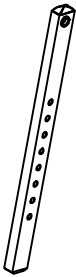
2 x1



3 x1



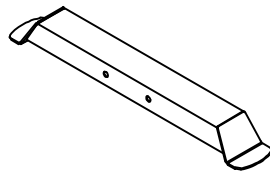
4 x1



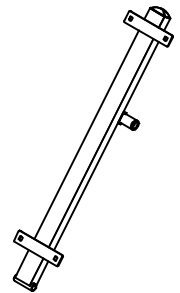
5 x1



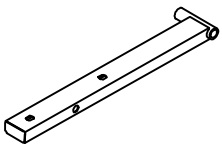
6 x1



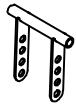
7 x1



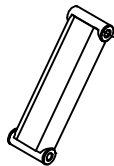
8 x1



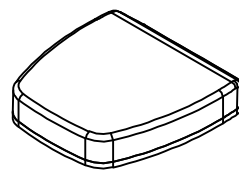
9 x2



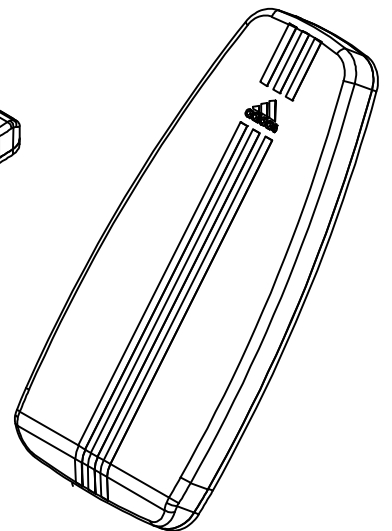
10 x1



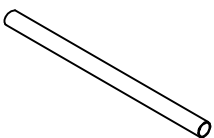
13 x2



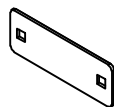
16 x1



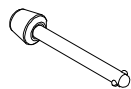
17 x1



19 x3



20 x1



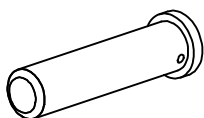
25 x1



26 x1



27 x1



30 x1



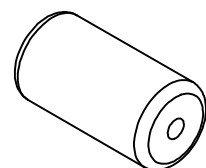
31 x6



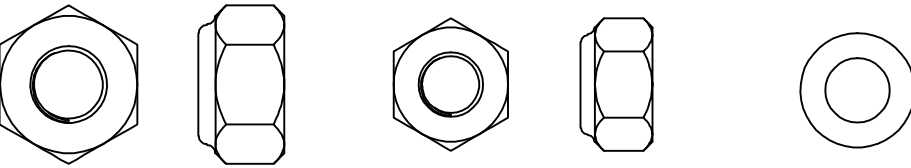
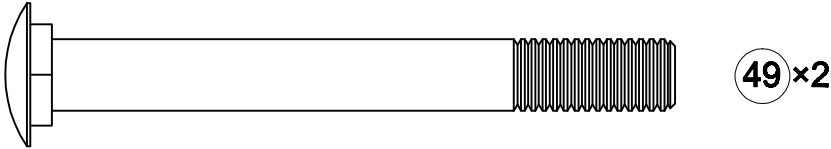
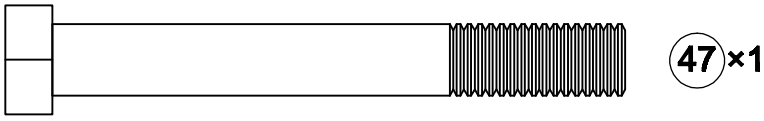
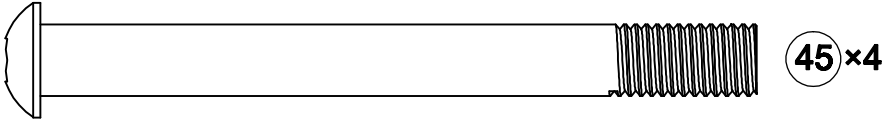
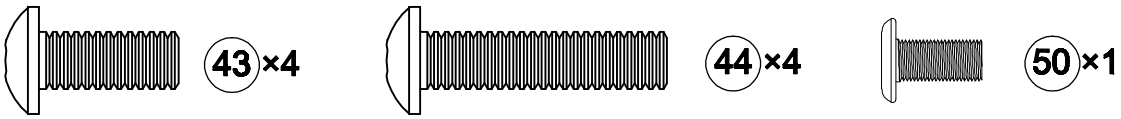
40 x2



41 x13



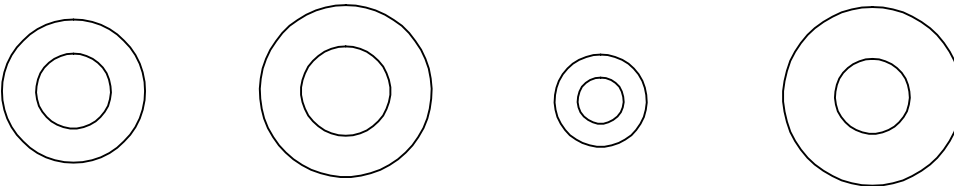
42 x6



51x1

52x12

55x8

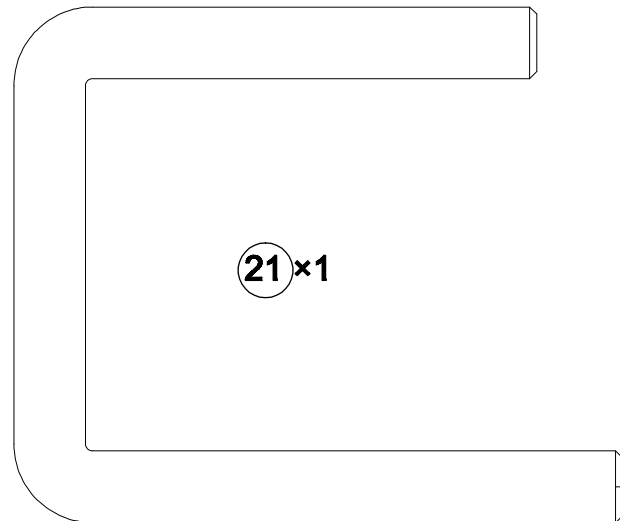


54x14

53x2

14x1

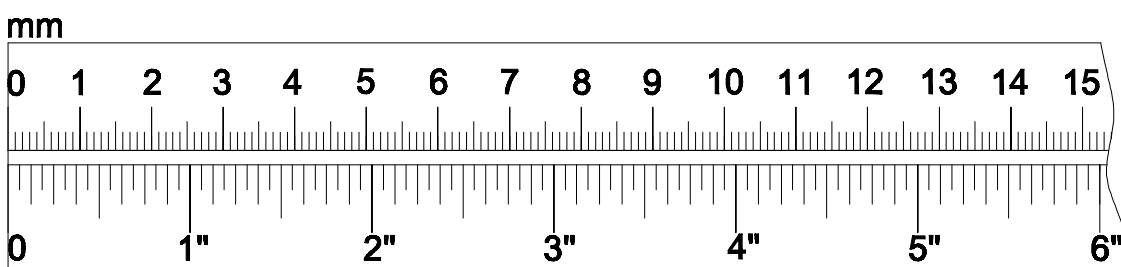
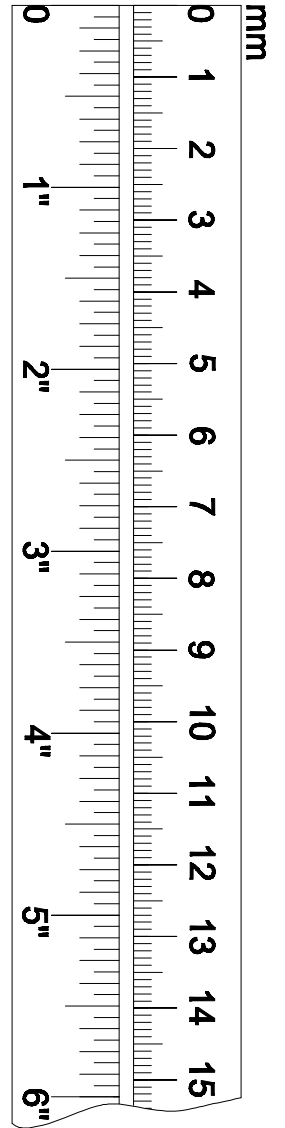
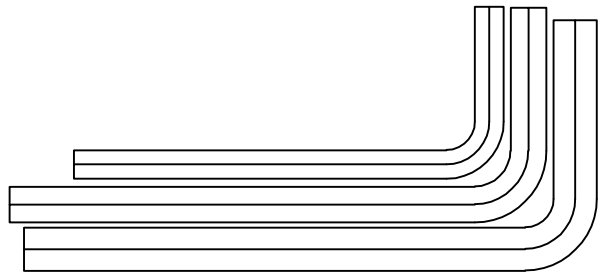
15x4

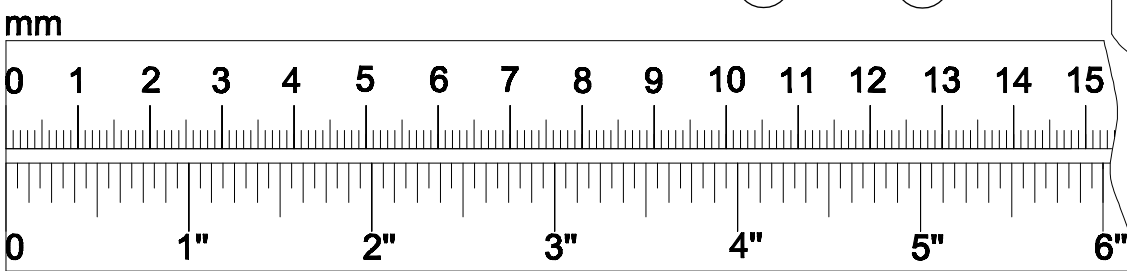
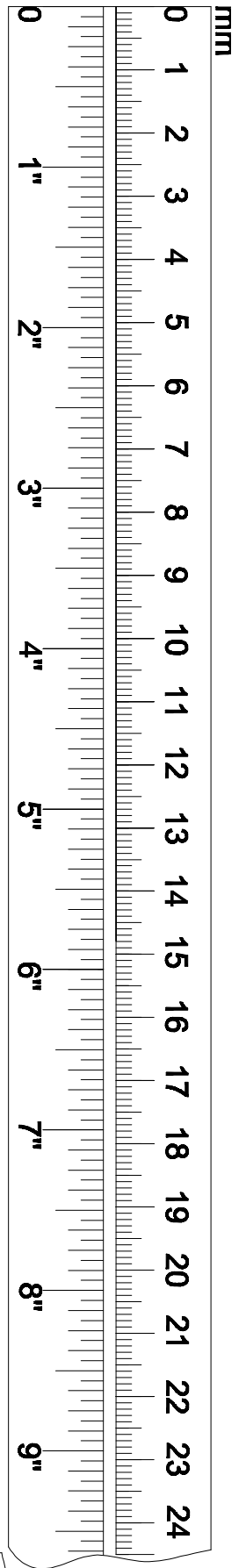
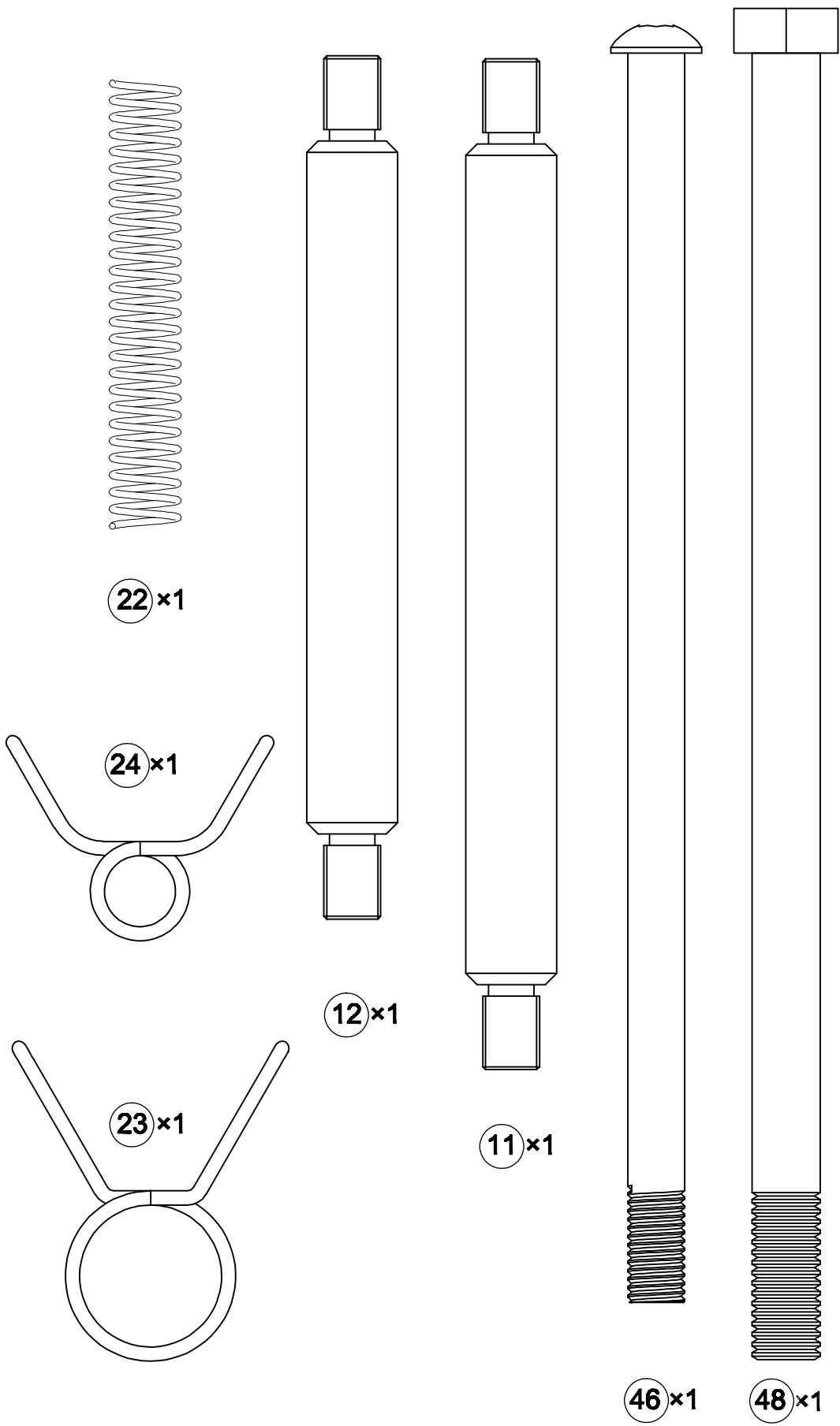


4#x1

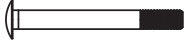
5#x1

6#x1





49 x2



M10x3 1/2"

52 x2

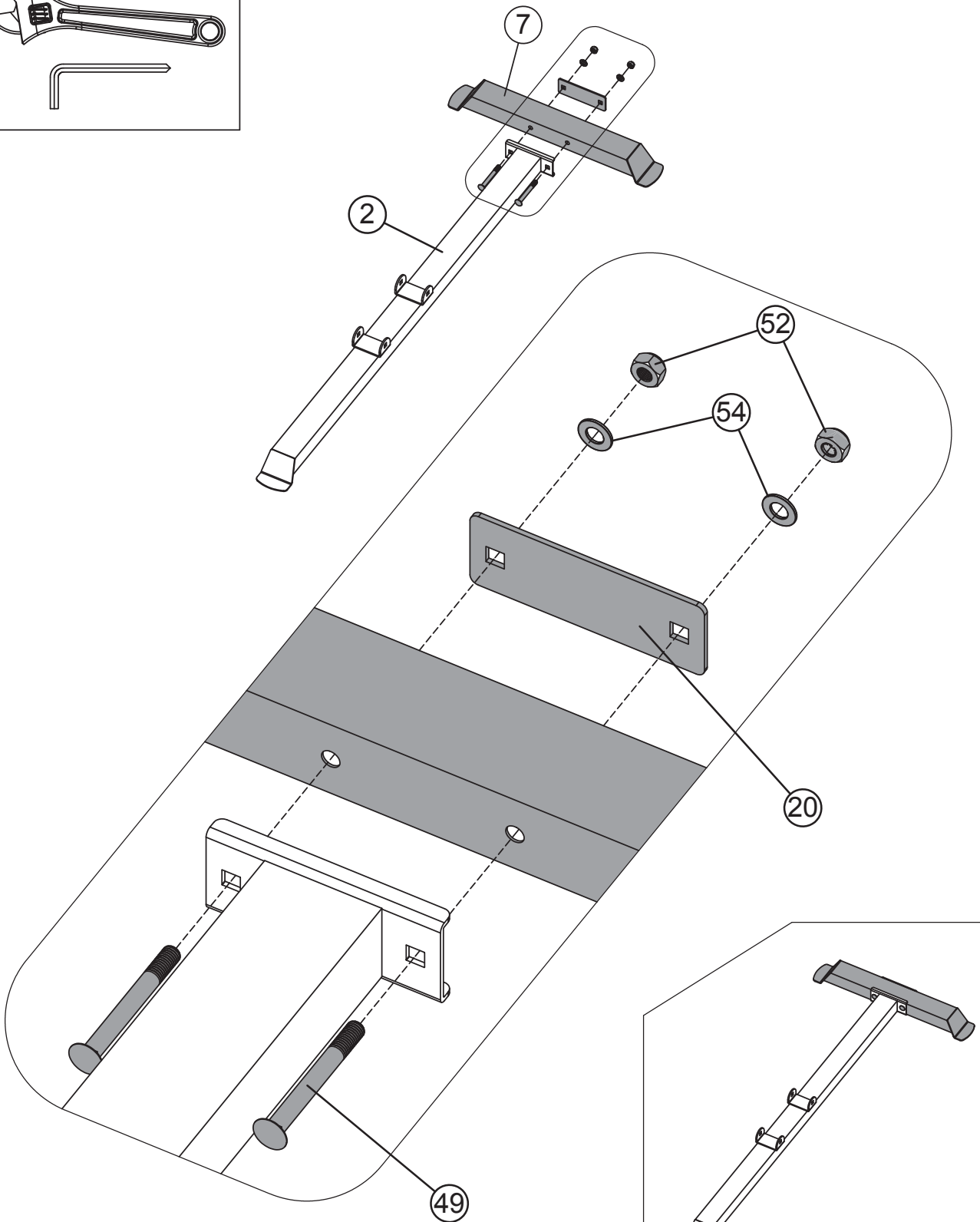
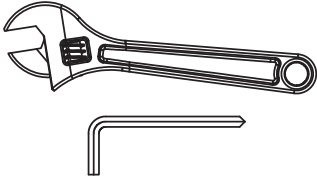


M10

54 x2

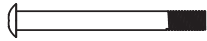


Φ3/4"



1

45 × 4



M10×4"

52 × 4

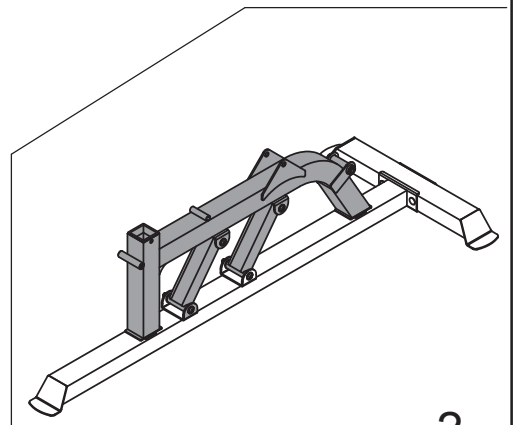
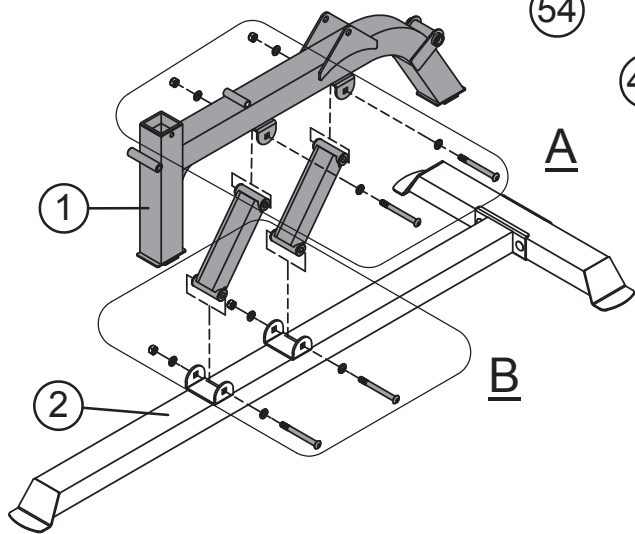
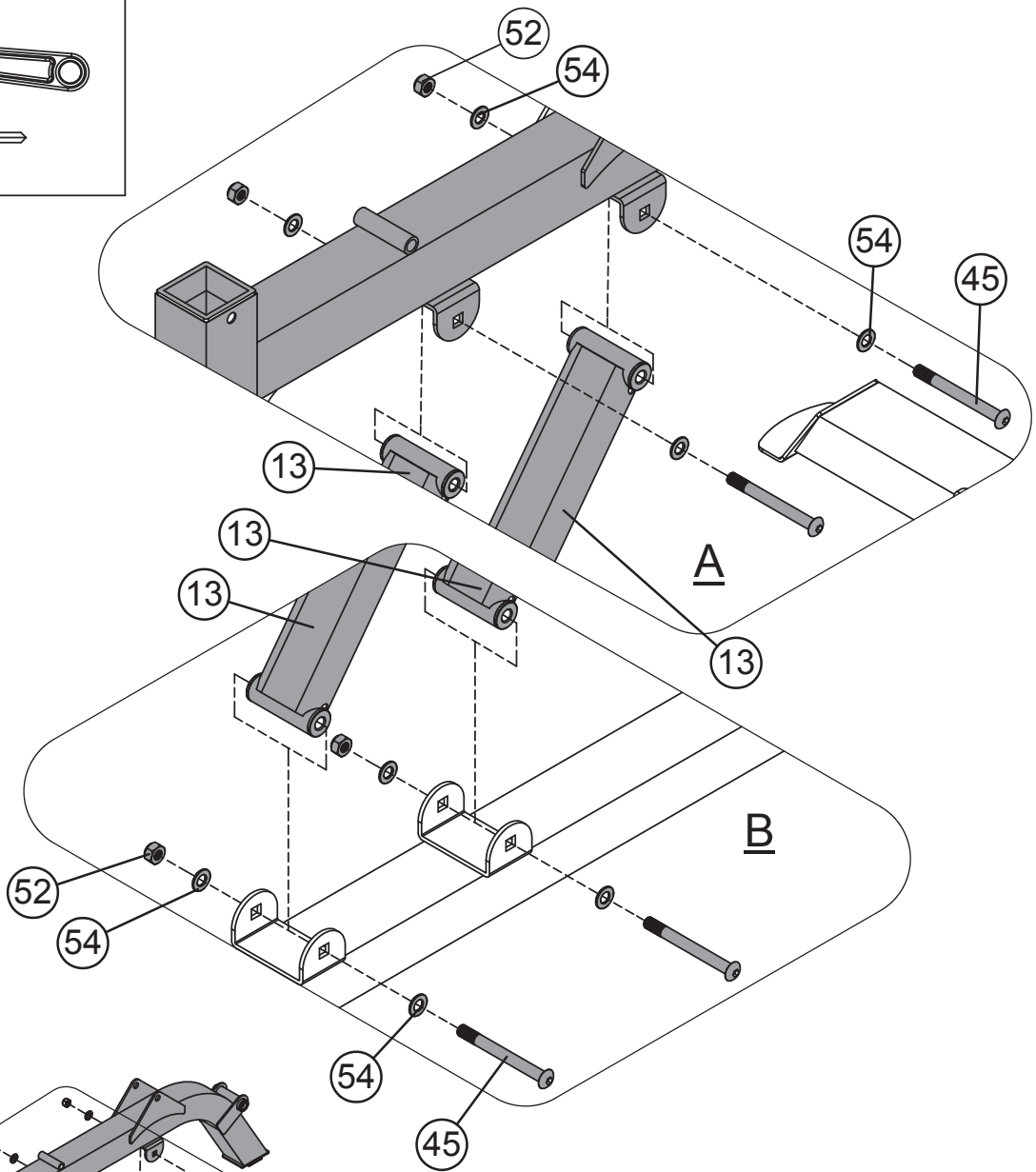
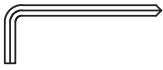
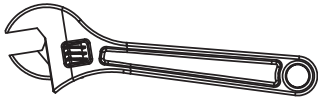


M10

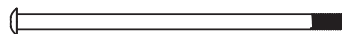


54 × 8






Φ 3/4"

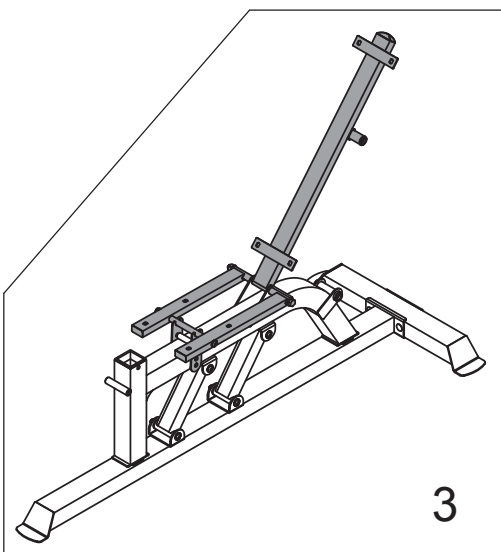
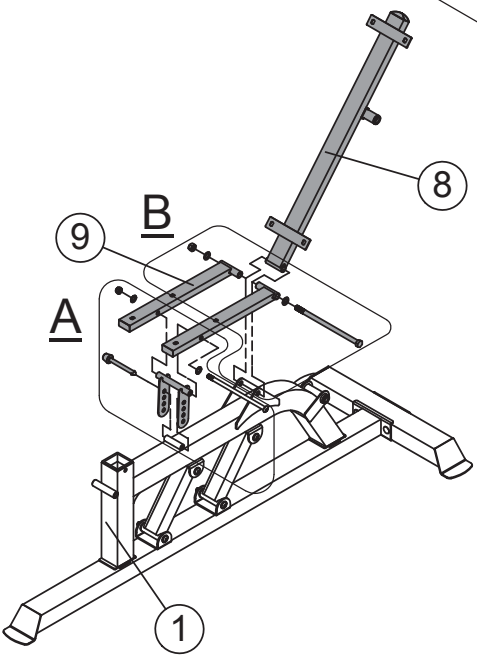
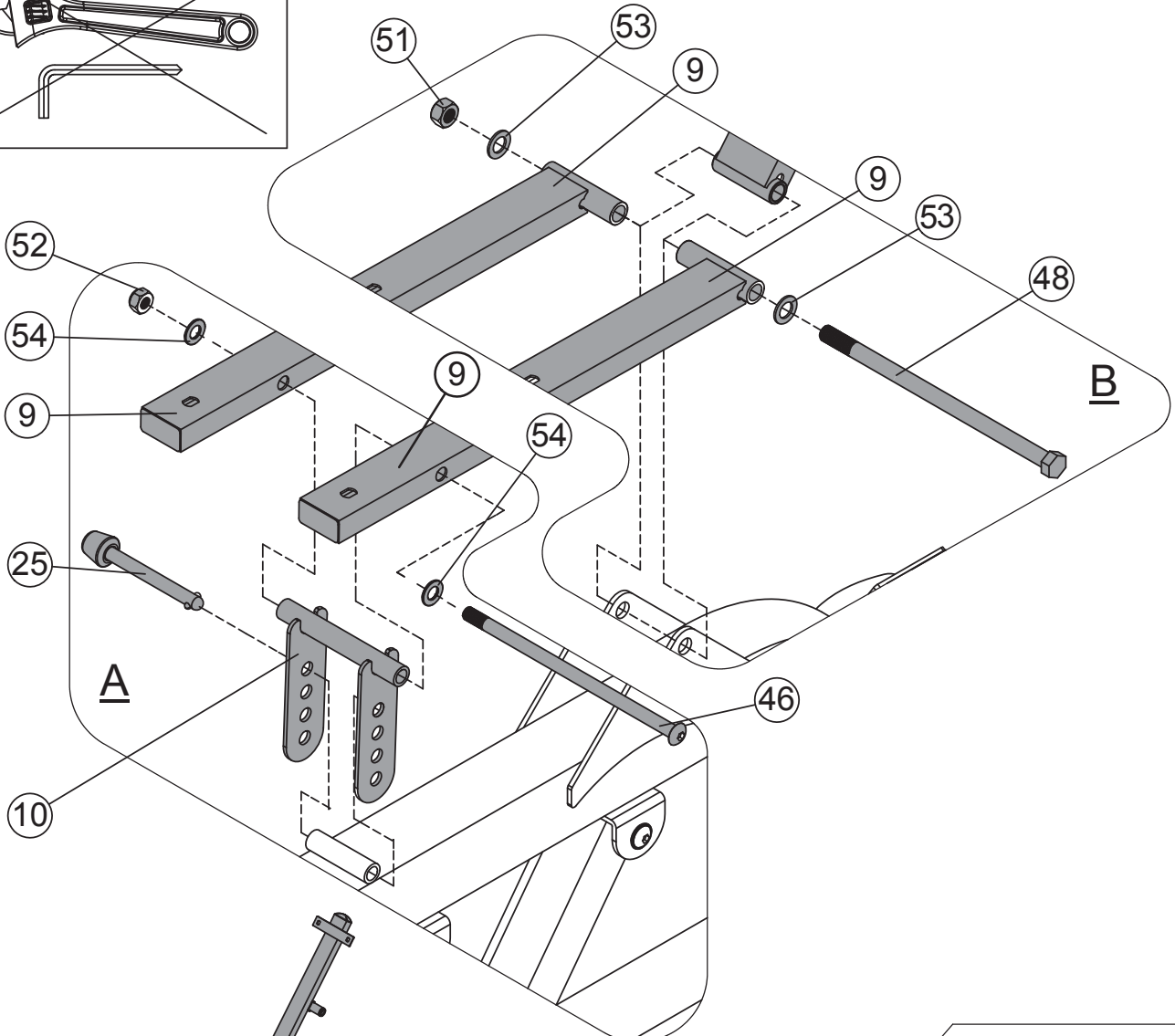
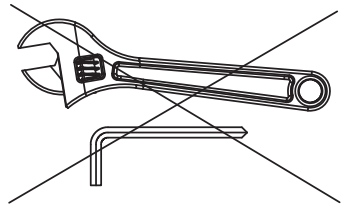


2

- ④⑥ × 1 
- ④⑧ × 1 
- ⑤② × 1 


M10×8 1/2"
 M12×9"
 M10

- ⑤① × 1 
 - ⑤④ × 2 
 - ⑤③ × 2 
- M12
 Φ 3/4"
 Φ 1"

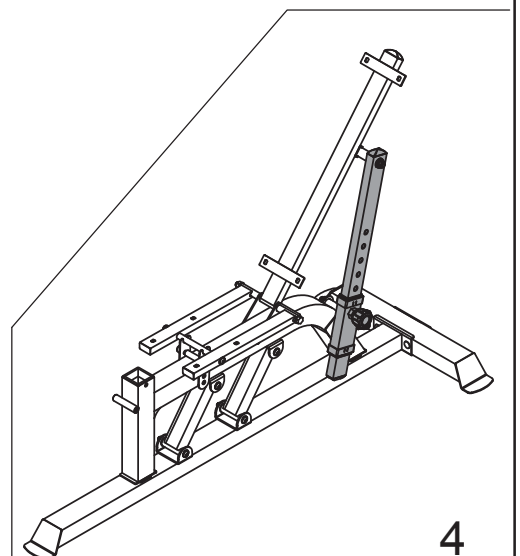
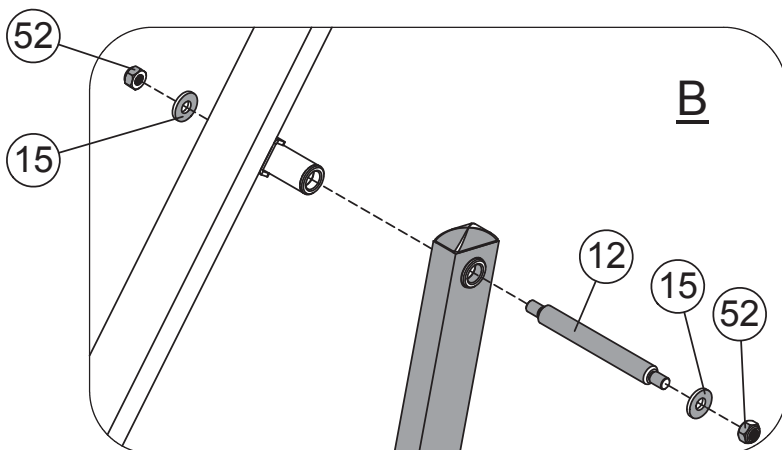
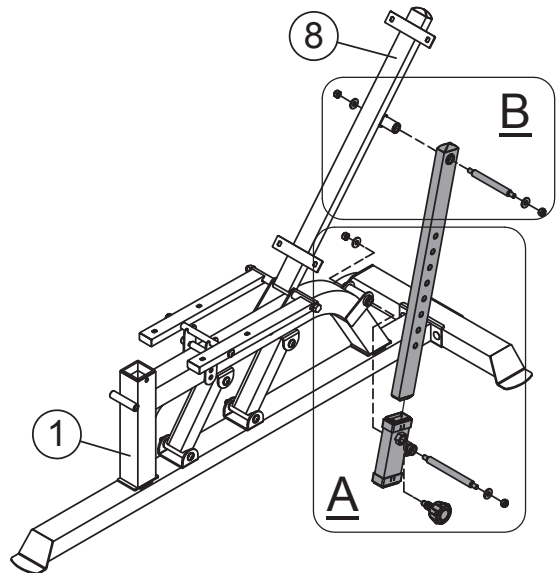
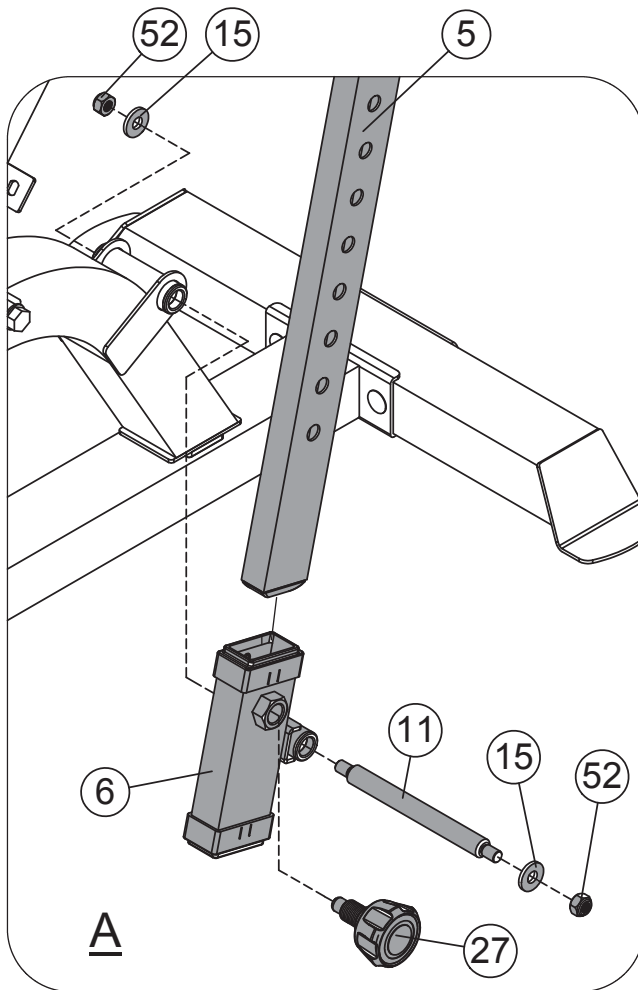
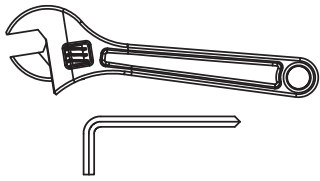


①① ×1  $\Phi 5/8'' \times M10 \times 7''$

⑤② ×4   M10

①② ×1  $\Phi 5/8'' \times M10 \times 6''$

①⑤ ×4   $\Phi 1'' \times \Phi 3/8''$



50 × 1



M6×1/2"

22 × 1

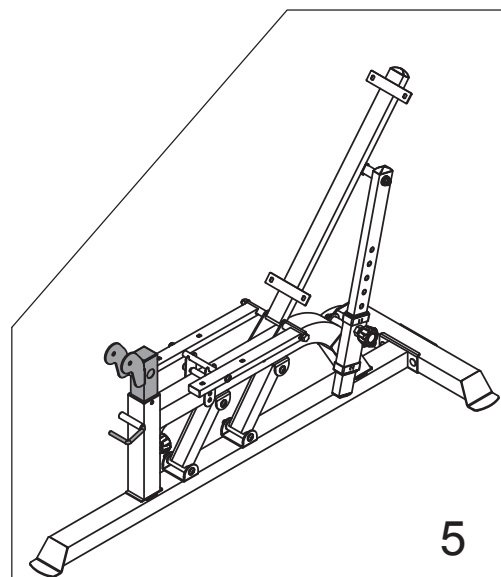
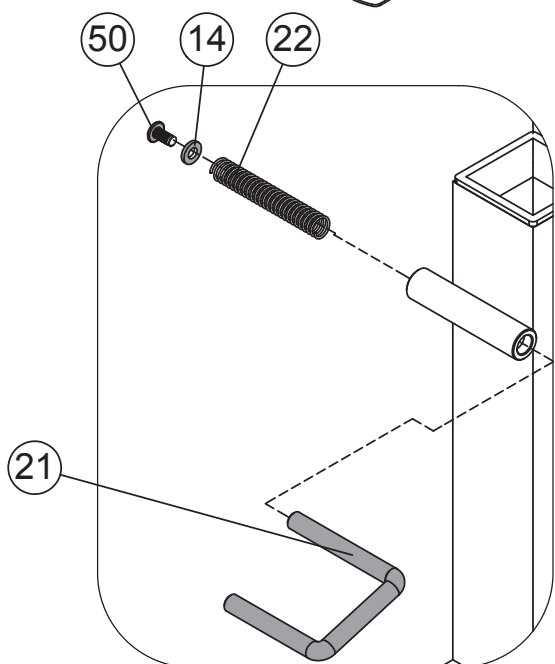
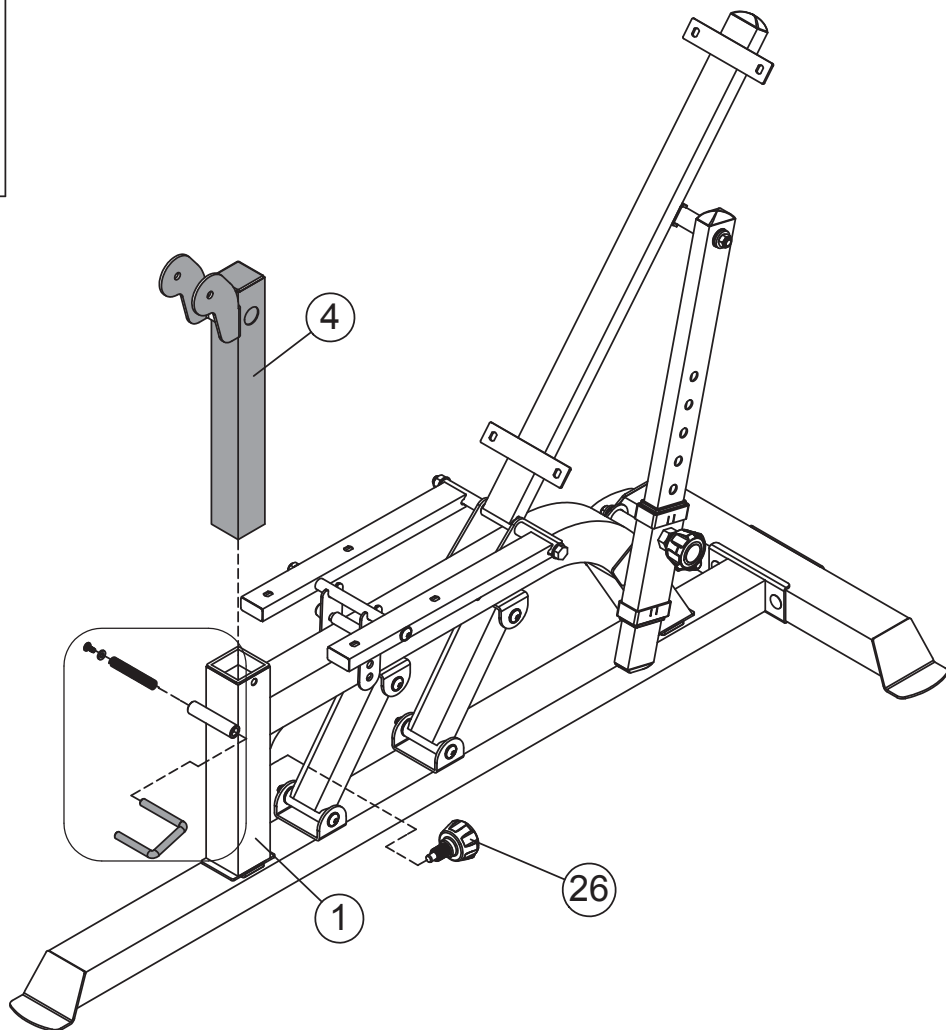
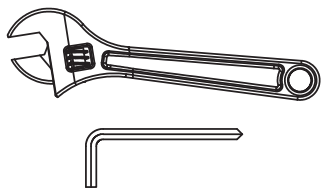


3"

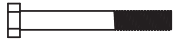
14 × 1



Φ1/2"



47 x1



M10x3 1/8"

52 x1

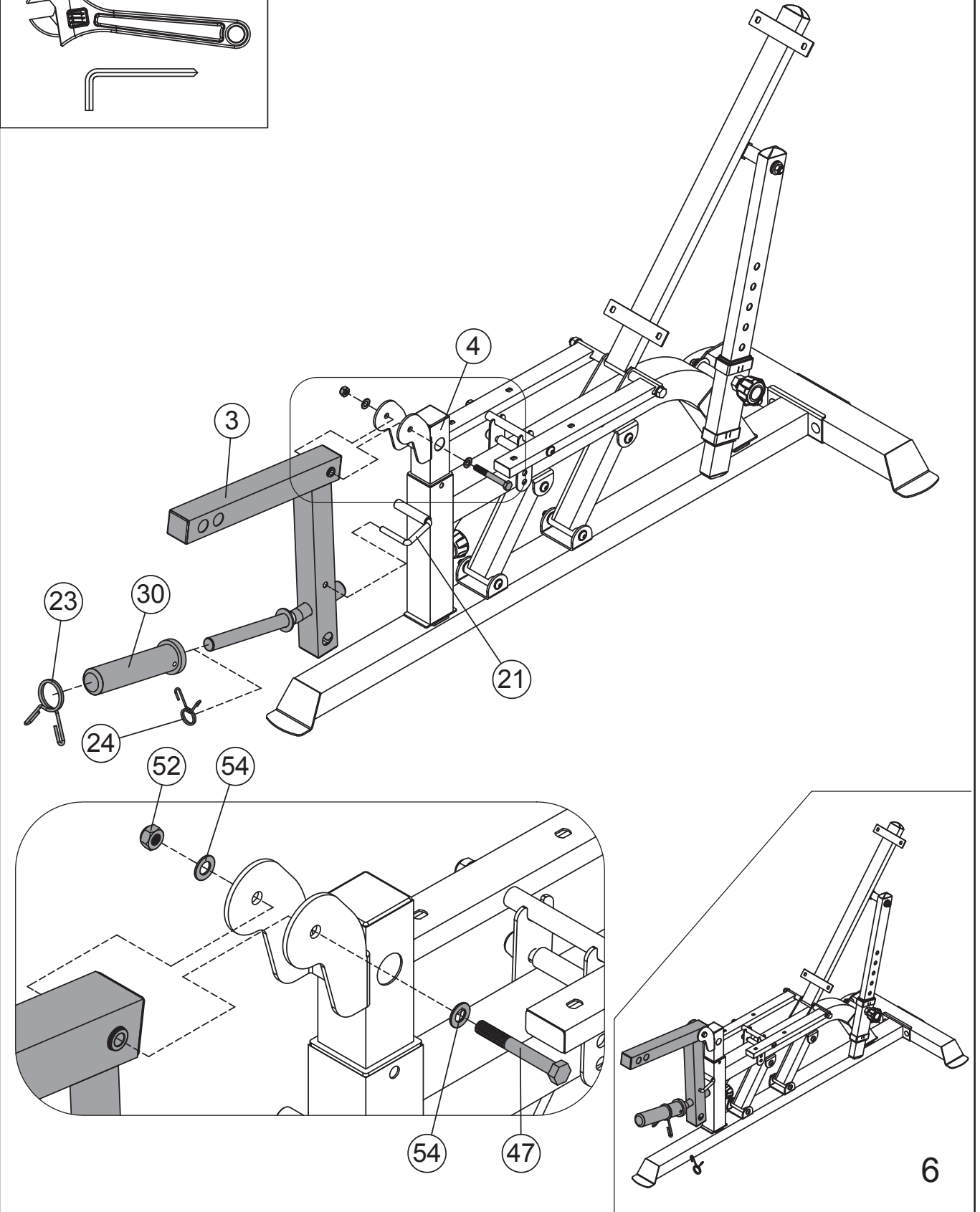
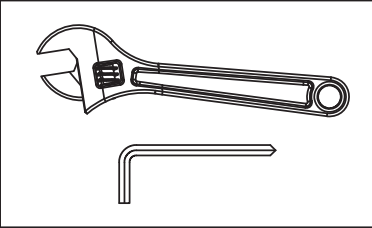





M10

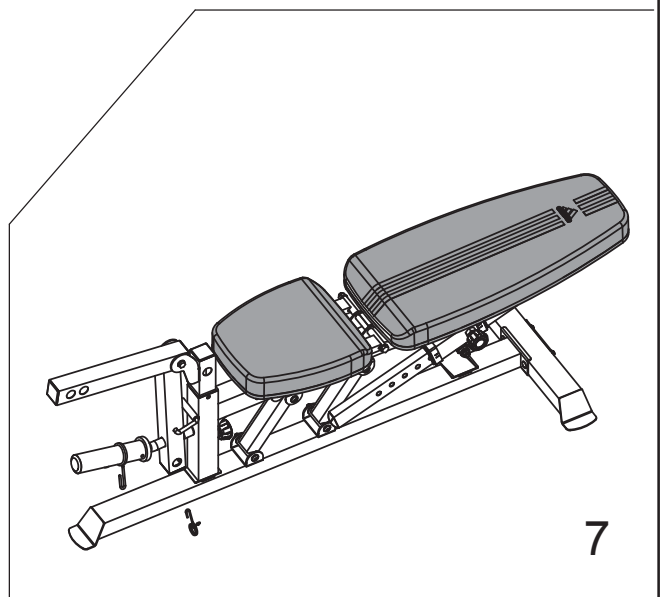
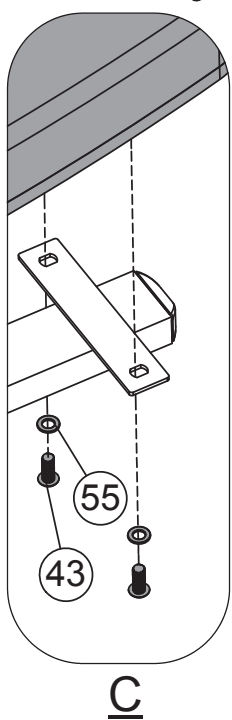
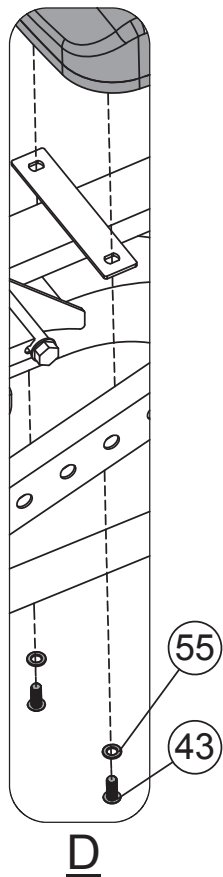
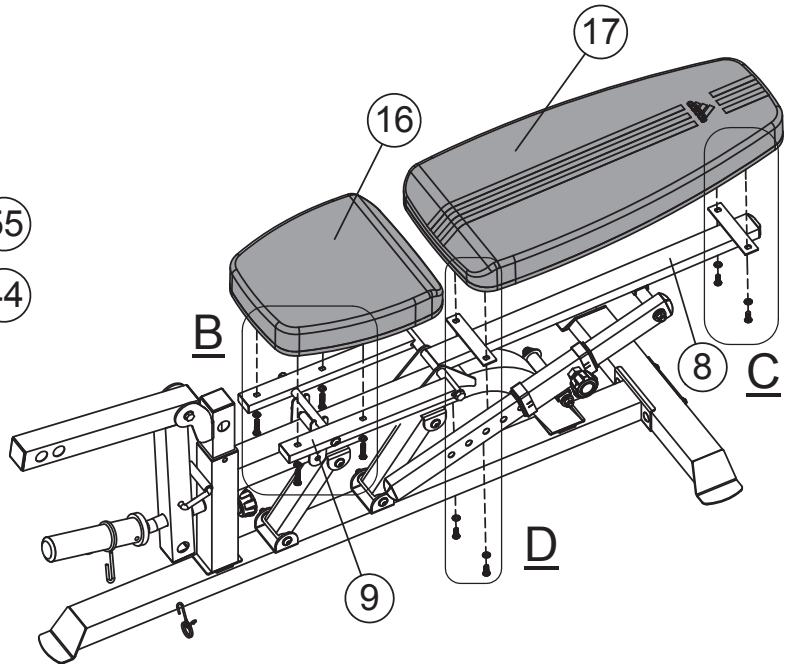
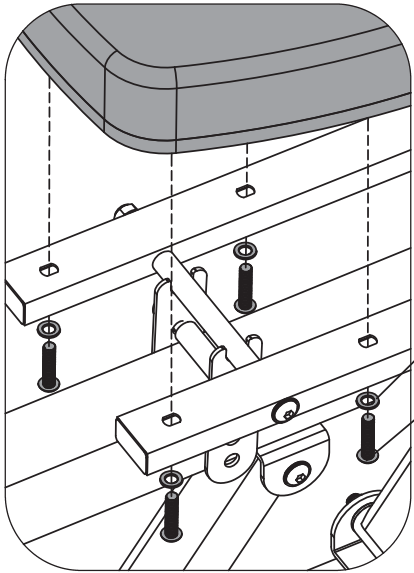
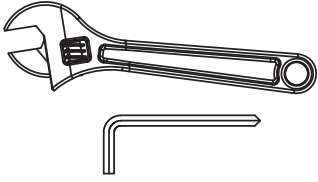
54 x2

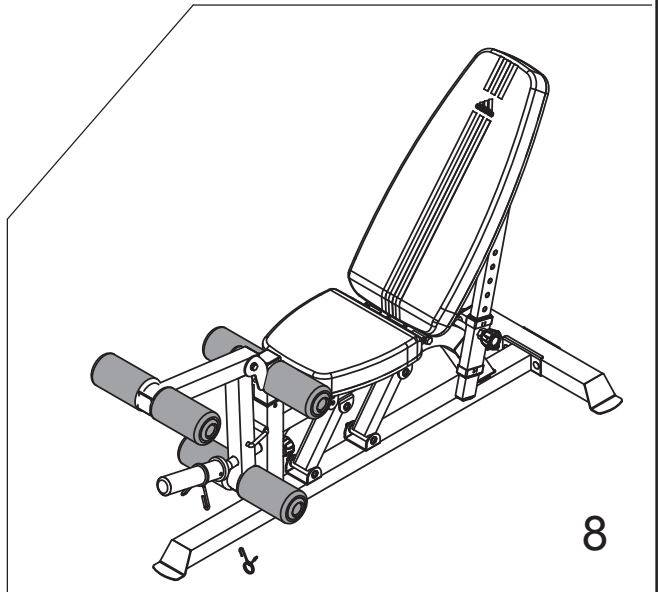
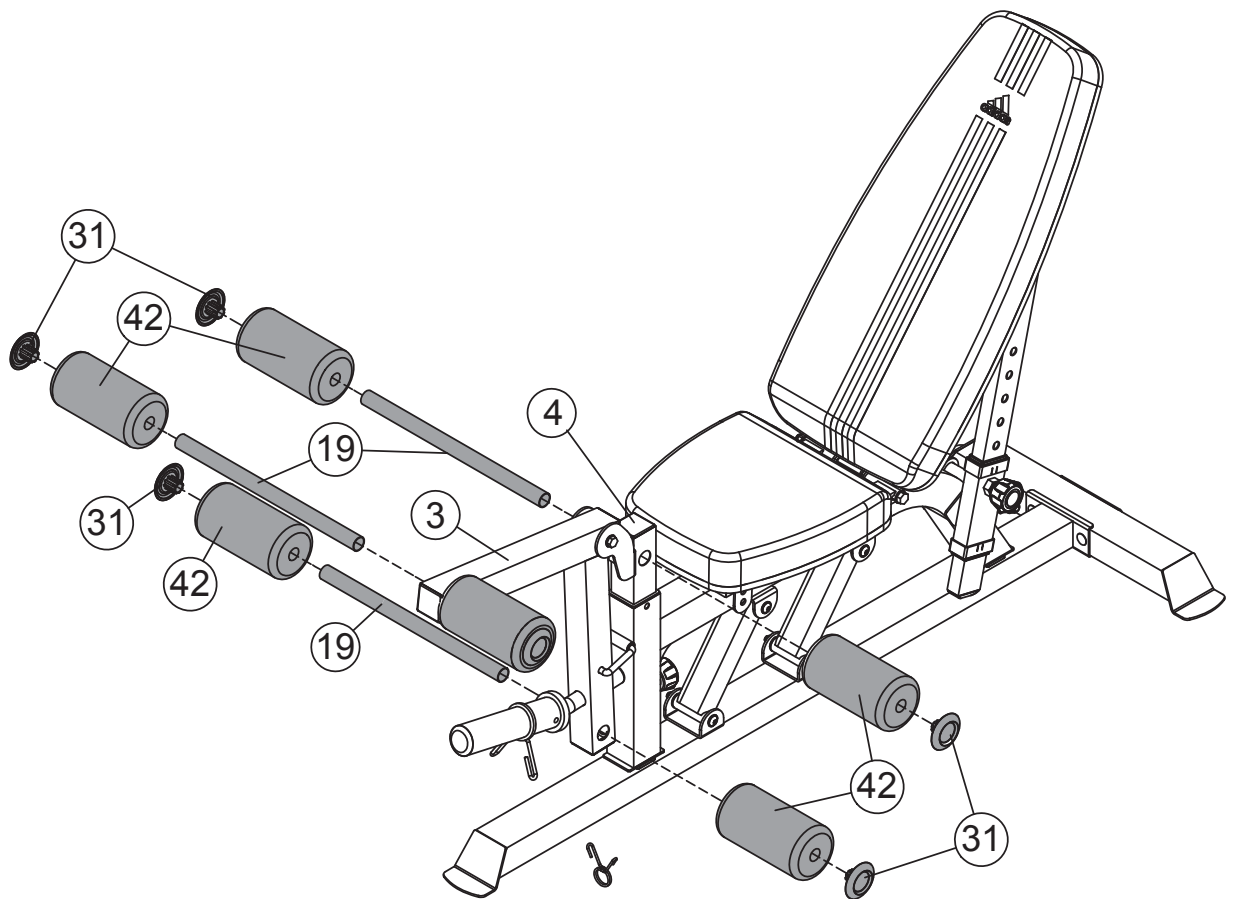


Φ3/4"



- ④③ ×4  M8×3/4"
- ④④ ×4  M8×1 3/8"
- ⑤⑤ ×8  | Φ5/8"





41 ×13

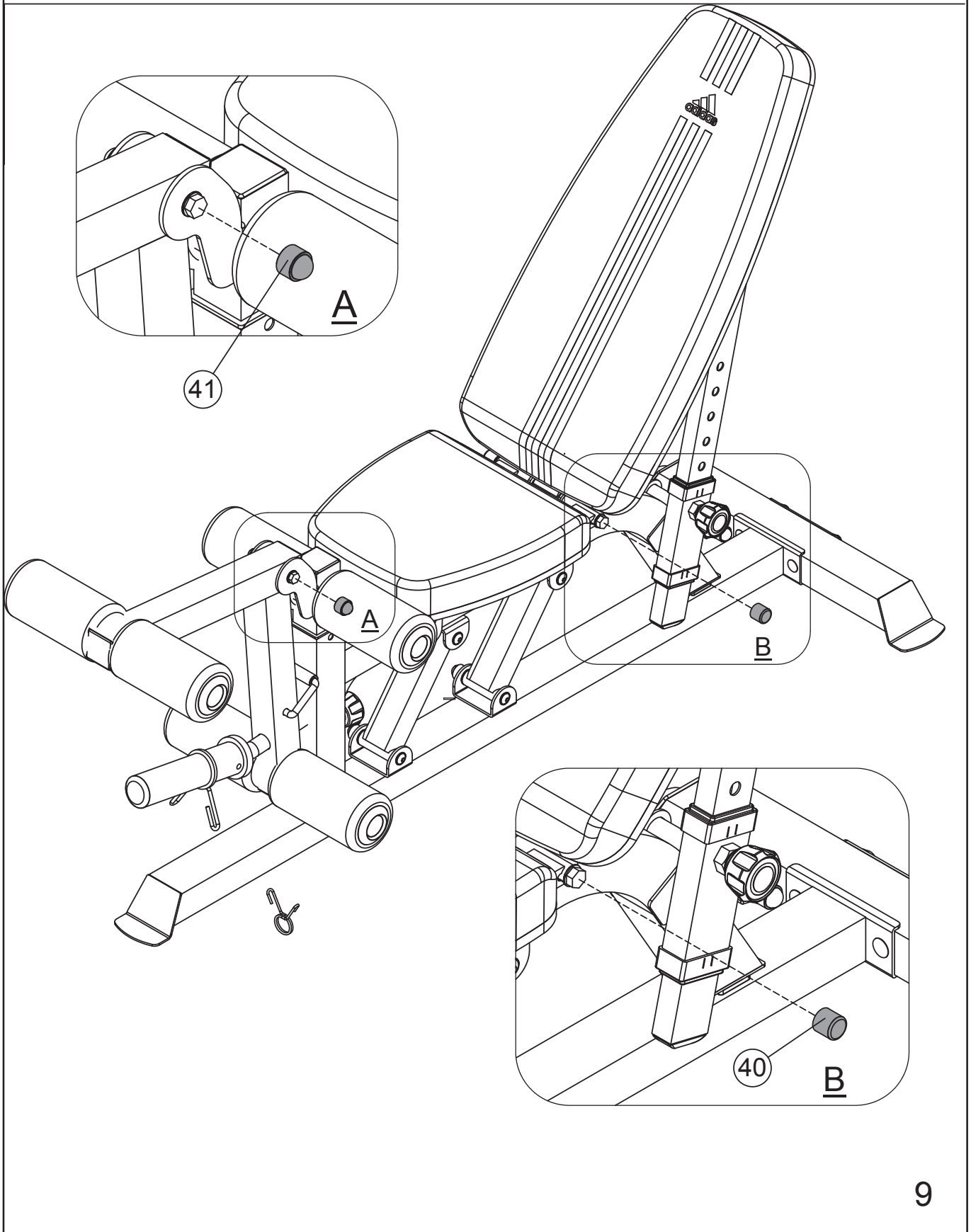


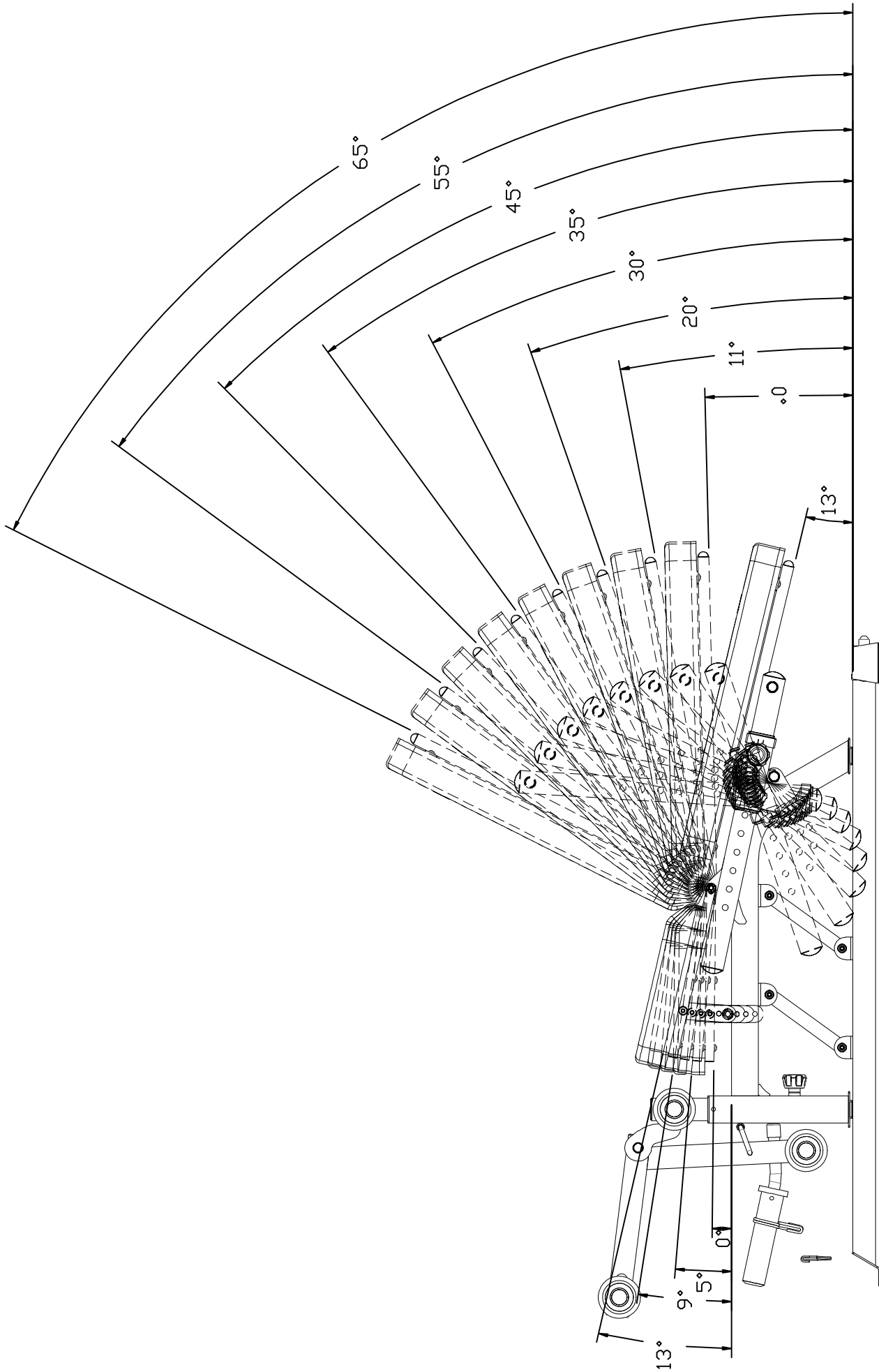
M10

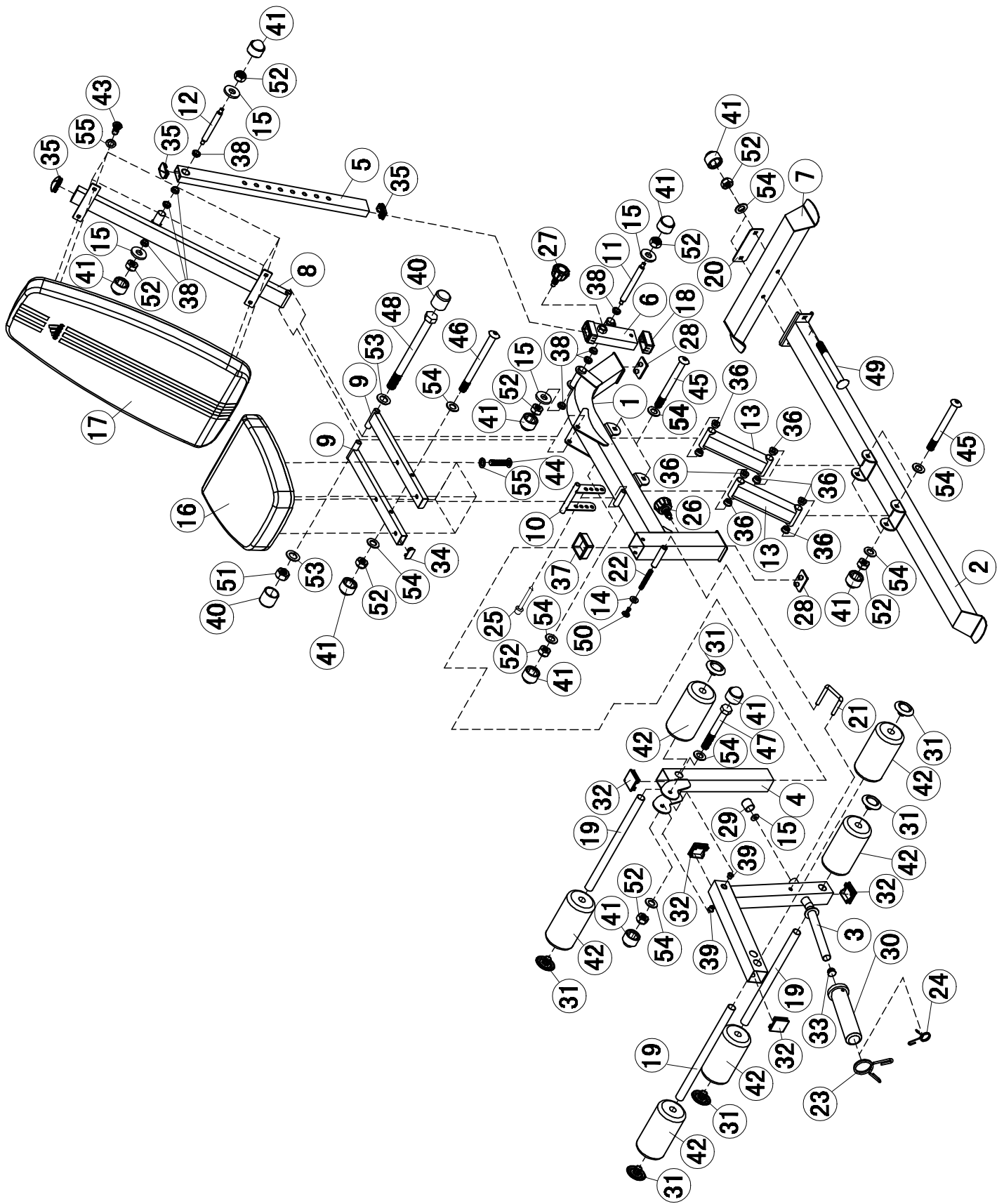
40 ×2



M12







IMPEX[®] INC.

14777 DON JULIAN RD., CITY OF INDUSTRY, CA 91746

Tel: (800) 999-8899 Fax: (626) 961-9966

www.impex-fitness.com

info@impex-fitness.com